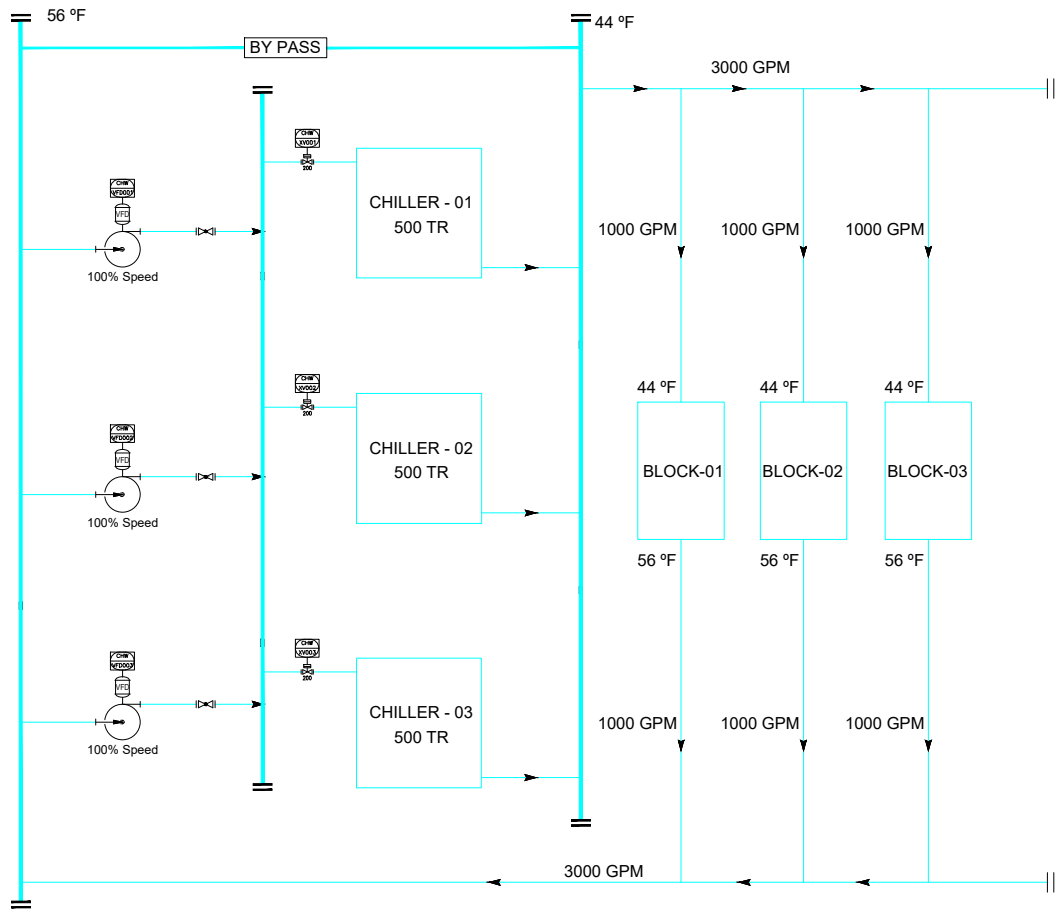
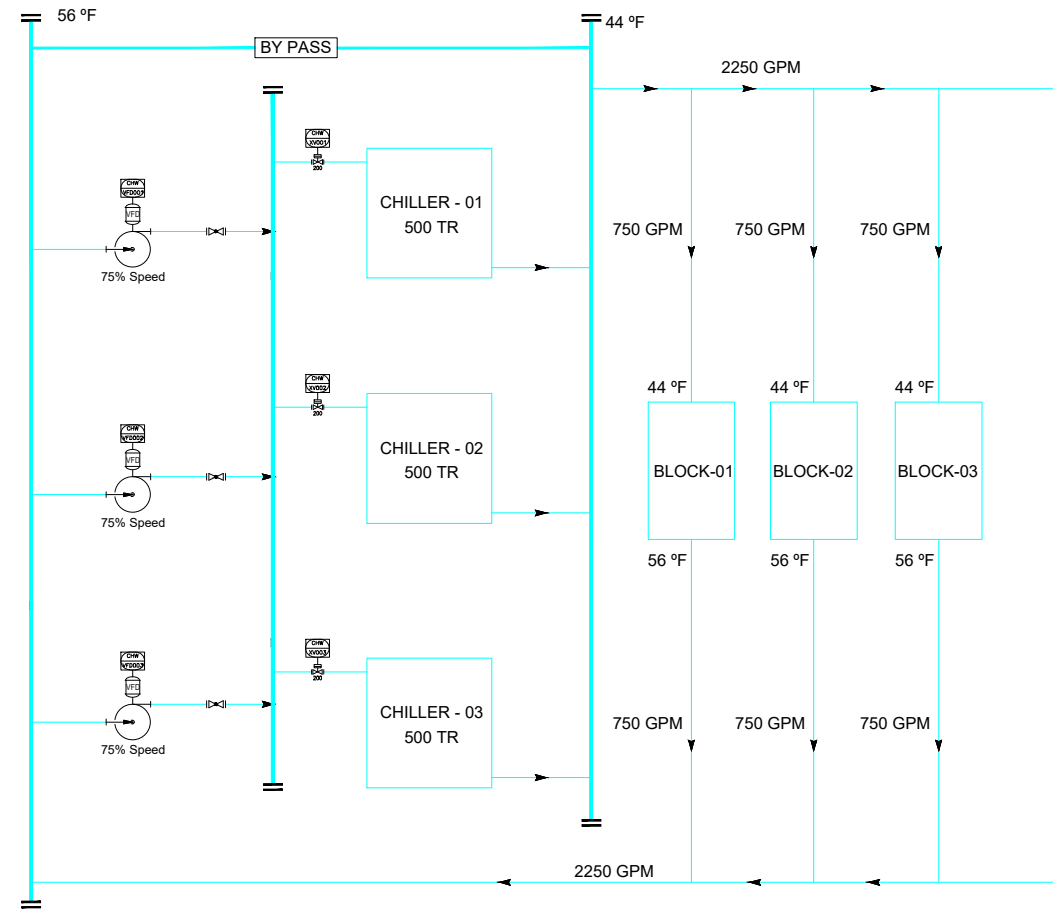


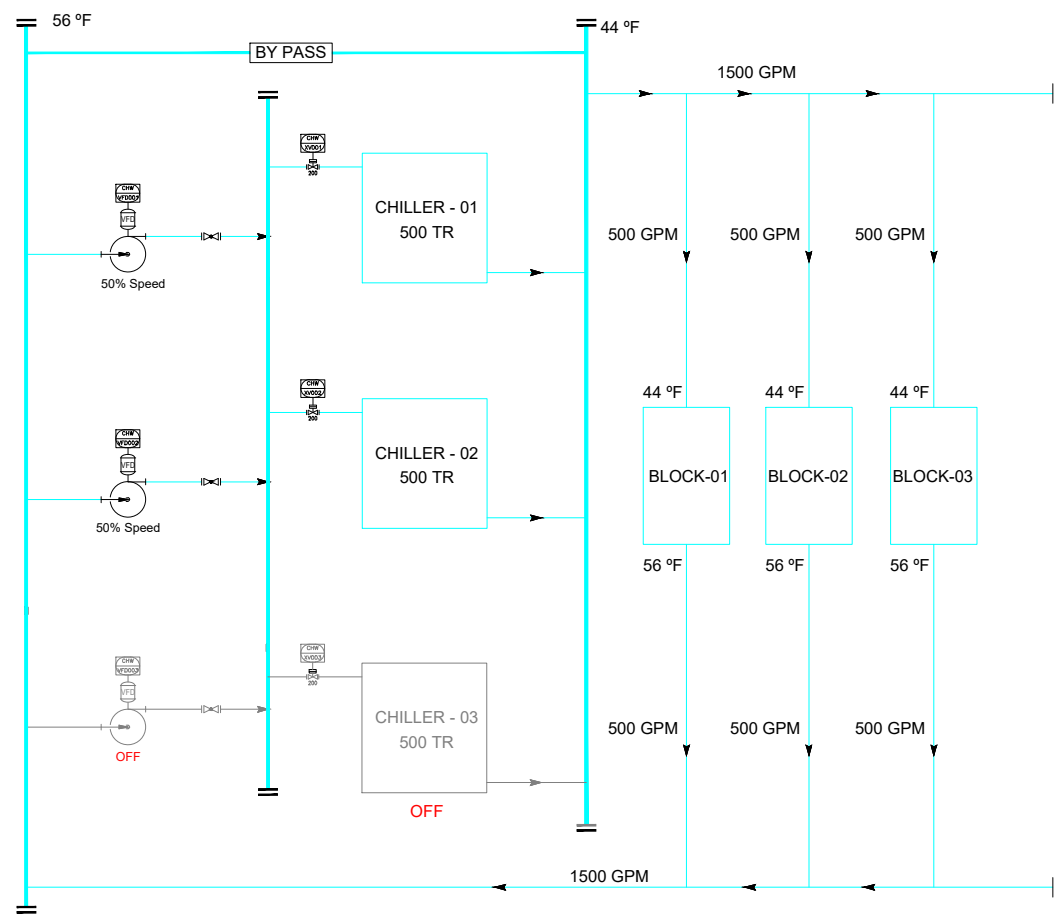
VARIABLE PRIMARY FLOW-100% LOAD



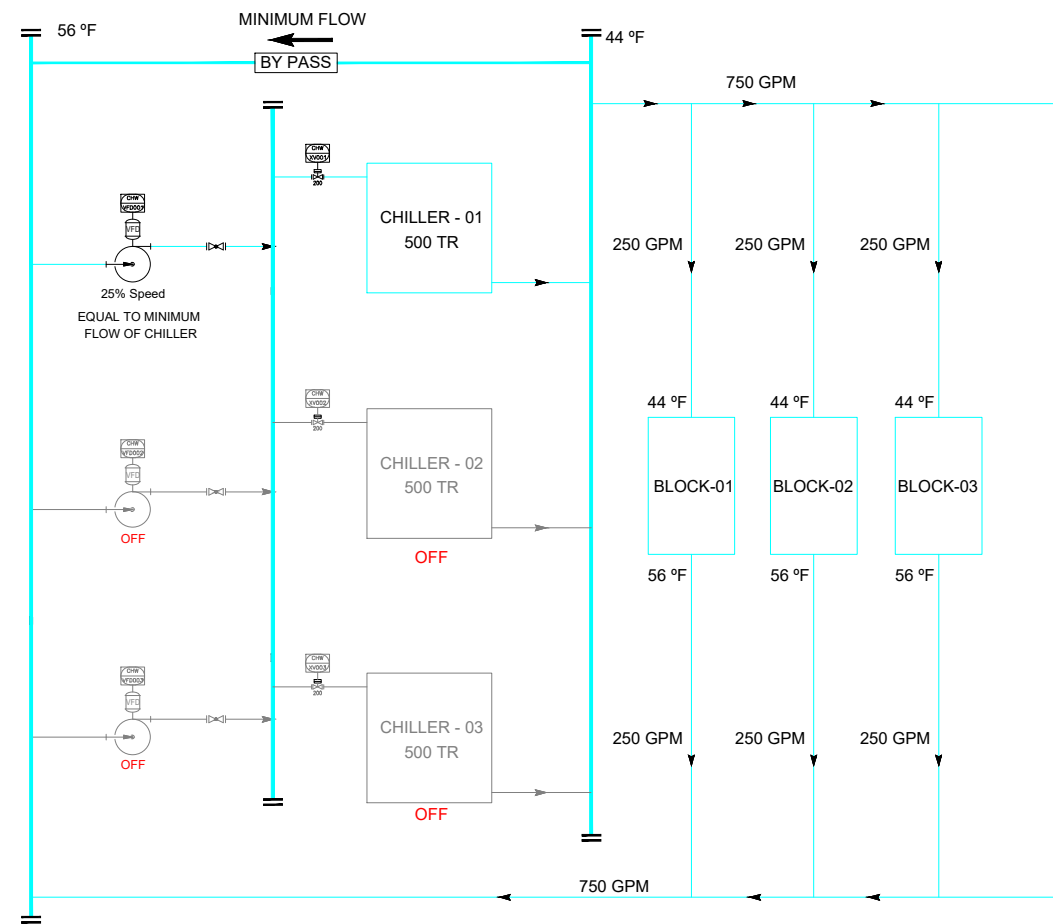
VARIABLE PRIMARY FLOW-75% LOAD



VARIABLE PRIMARY FLOW-50% LOAD



VARIABLE PRIMARY FLOW-25% LOAD



COMMENTS:-
1. Control Valves must be 2 Way

PHARMA ENGINEERS PVT LTD
Plot No. 113/A/1, lane No.8, Phase-2 IDA,Cherlapally
TEL-040-2726113, FAX-040-27261114

CLIENT:-REFERENCE DRAWING

PROJECT:- INTERNAL

TITLE:-VARIABLE PRIMARY FLOW Drg. No. PE/00/00/00/00

DRN BY	CHK BY	APPD BY	DATE	SCALE	REV.
KARTIK	--		01.05.2024		RO